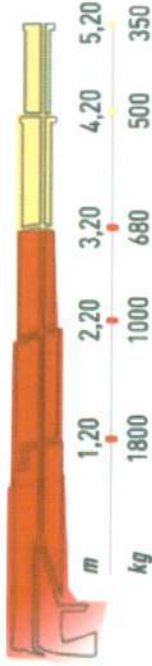


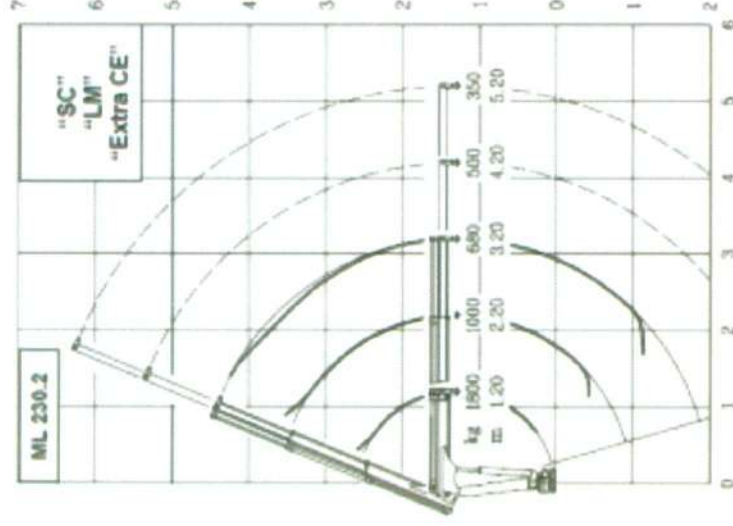
ML 230.2



Hide details

Select to compare

crane rating	kNm 22
standard outreach	m 3.20
standard hydraulic extensions	N° 2
maximum angle slope	° 5
suggested oil flow	l/min 8÷10
max. working pressure	bar 200
basic crane weight "e" 12v/24v	kg 245
basic crane weight "h"	kg 225
base weight with extendable stabilizers	kg 102÷109
beam weight with 2 extendable stabilizers	kg 69÷83



Compare!